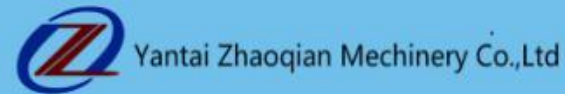


Yantai Zhaoqian Machinery Co., Ltd. is located in Yantai, the most beautiful coastal city in China. It has a superior location and convenient transportation. The company covers an area of more than 4,000 square meters. It is a private innovation company specializing in the research and development, production and sales of mid-to-high-end hardware products.

The company has a variety of processes such as silica sol precision casting, water glass precision casting, stamping, and machining. In 2014, it independently developed various types of locks, handles, hinges, hinges, engineering machinery precision castings, and automobile precision castings for various cabinets. Products such as accessories, stainless steel precision-cast pipe fittings, precision-cast valves, special-shaped seals and accessories are used for electrical and electronic controls, instrumentation, communication technology, refrigeration technology, fire protection and other facilities, and have been well received by customers once they were launched.

The company has strong technical research and development capabilities, advanced production equipment and testing instruments, and an experienced development and management team. By strengthening the company's internal management, quality control, and cost analysis, the product quality and price are among the best in the industry. It has considerable advantages, and at the same time draws on the advanced production quality management experience of well-known enterprises, establishes a more complete scientific management system, strictly follows the needs of customers, and even exceeds customer expectations. Technology creates quality and integrity creates brand is our business principle. Reputation first, customer first is our service tenet. First-class after-sales service is our service guarantee, and continuous innovation is our eternal pursuit. We will wholeheartedly provide our customers with products of better quality and better prices. Enterprise spirit: Customer satisfaction quality.



@WZhiyu577



wzy.products@gmail.com



wzy.products@gmail.com



wzy@ytcqmetal.com

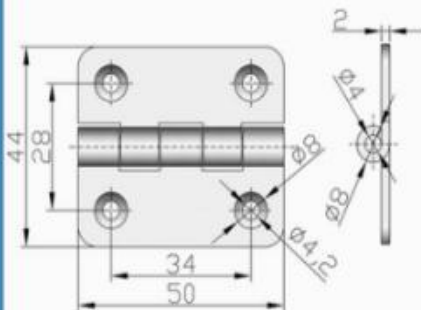


0086-0535-6110388  
0086-0535-6110399



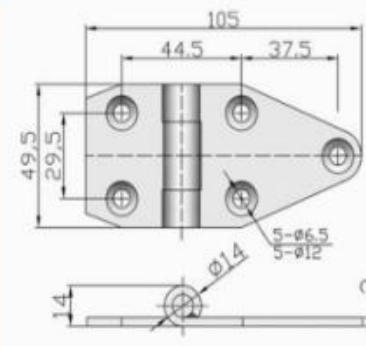
+86 17862816975

www.ytcqmetal.com



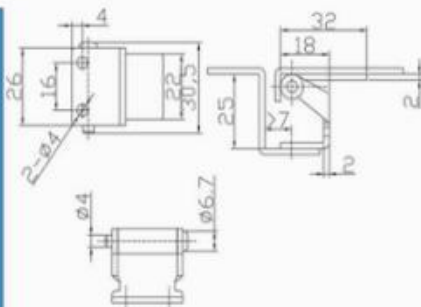
**ZQ-CY-01**

- \* Material: Carbon Steel, SUS304;
- \* Surface Treatment: Blue Zinc Plating, Vibration, Wire Drawing, Mirror Polishing;
- \* Structure Description: About 180 Degrees Rotation



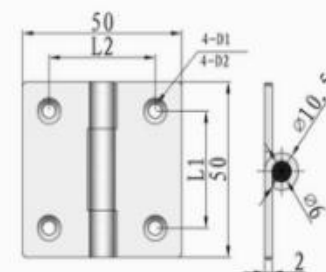
**ZQ-CY-02**

- \* Material: Carbon Steel, SUS304;
- \* Surface Treatment: Blue Zinc Plating, Vibration, Wire Drawing, Mirror Polishing;
- \* Structure Description: About 180 Degrees Rotation



**ZQ-CY-03**

- \* Material: Carbon Steel, SUS304;
- \* Surface Treatment: Vibration, Blue Zinc Plated;
- \* Structure Description: About 180 Degrees Rotation



**ZQ-CY-04**

	L1	L2	D1	D2
A	34	34	φ6.5	φ10
B	30	32	φ4.5	φ8

- \* Material: SUS201, SUS304;
- \* Surface Treatment: Vibration, Wire Drawing, Mirror Polishing;
- \* Structure Description: About 180 Degrees Rotation



@WZhiyu577



wangzhiyu77



@zhiyuwang-dz3vd



zhiyu2941

Instagram



wzy@ytcqmetal.com



wzy.products@gmail.com



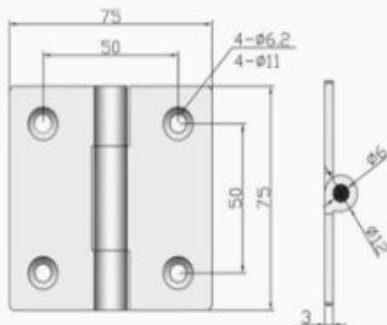
wzy.products@gmail.com



0086-0535-6110388  
0086-0535-6110399

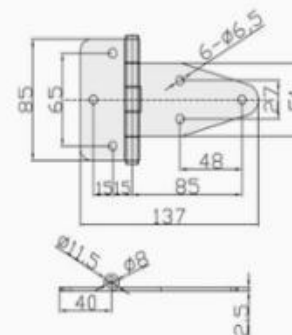


+86 17862816975



**ZQ-CY-05**

- \* Material: Carbon Steel, SUS304;
- \* Surface Treatment: Blue Zinc Plating, Vibration, Wire Drawing, Mirror Polishing;
- \* Structure Description: About 180 Degrees Rotation

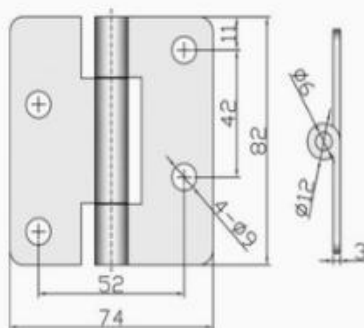


**ZQ-CY-06**

- \* Material: Carbon Steel, SUS304;
- \* Surface Treatment: Blue Zinc Plating, Vibration, Wire Drawing, Mirror Polishing;
- \* Structure Description: About 180 Degrees Rotation

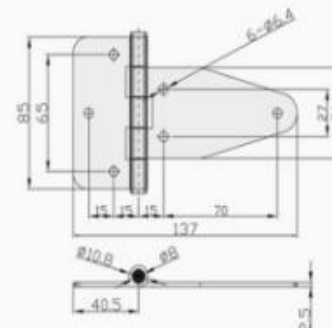


HT011-2



**ZQ-CY-07**

- \* Material: SUS304;
- \* Surface Treatment: Vibration, Wire Drawing, Mirror Polishing;
- \* Structure Description: About 180 Degrees Rotation



**ZQ-CY-08**

- \* Material: SUS304;
- \* Surface Treatment: Vibration, Wire Drawing, Mirror Polishing;
- \* Structure Description: About 180 Degrees Rotation



@WZhiyu577



wangzhiyu77



@zhiyuwang-dz3vd



zhiyu2941

Instagram



wzy@ytcqmetal.com



wzy.products@gmail.com



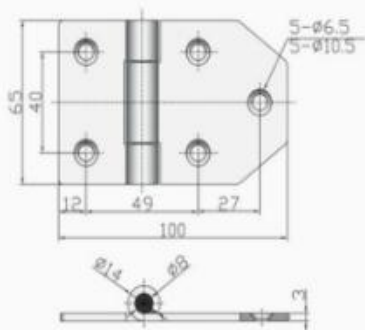
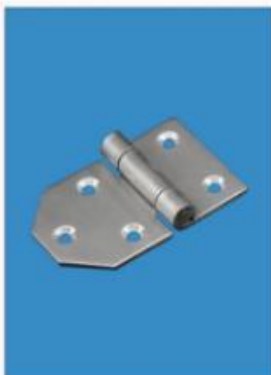
wzy.products@gmail.com



0086-0535-6110388  
0086-0535-6110399

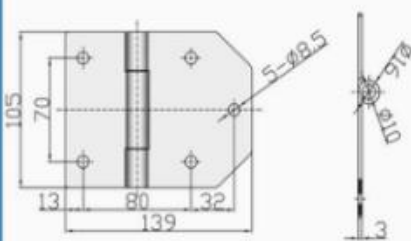


+86 17862816975



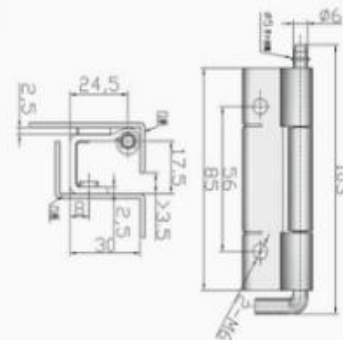
ZQ-CY-09

- \* Material: SUS304;
- \* Surface Treatment: Vibration, Wire Drawing, Mirror Polishing;
- \* Structure Description: About 180 Degrees Rotation



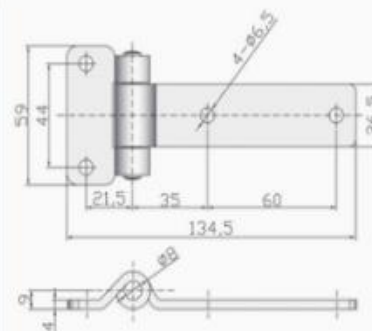
ZQ-CY-11

- \* Material: SUS304;
- \* Surface Treatment: Vibration, Wire Drawing, Mirror Polishing;
- \* Structure Description: About 180 Degrees Rotation



ZQ-CY-10

- \* Material: Carbon Steel;
- \* Surface Treatment: Blue Zinc Plated;
- \* Structure Description: About 110 Degrees Rotation



ZQ-CY-12

- \* Material: SUS304;
- \* Surface Treatment: Vibration, Wire Drawing, Mirror Polishing;
- \* Structure Description: About 180 Degrees Rotation



@WZhiyu577



wangzhiyu77



@zhiyuwang-dz3vd



zhiyu2941

Instagram



wzy@ytcqmetal.com



wzy.products@gmail.com



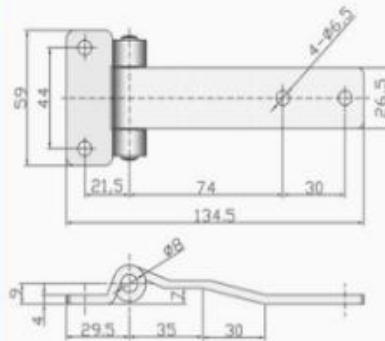
wzy.products@gmail.com



0086-0535-6110388  
0086-0535-6110399

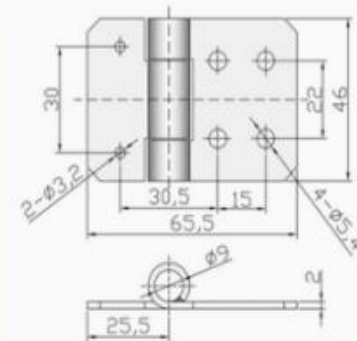


+86 17862816975



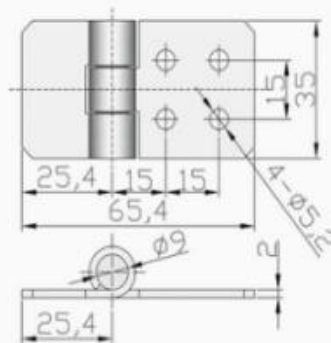
**ZQ-CY-13**

- \* Material: SUS304;
- \* Surface Treatment: Vibration, Wire Drawing, Mirror Polishing;
- \* Structure Description: About 180 Degrees Rotation



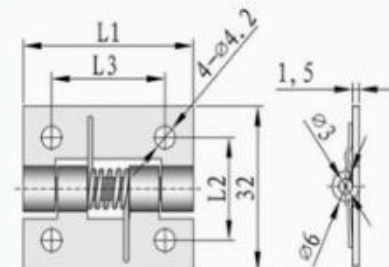
**ZQ-CY-14**

- \* Material: SUS304;
- \* Surface Treatment: Vibration, Wire Drawing, Mirror Polishing;
- \* Structure Description: About 180 Degrees Rotation



**ZQ-CY-15**

- \* Material: SUS304;
- \* Surface Treatment: Vibration, Wire Drawing, Mirror Polishing;
- \* Structure Description: About 180 Degrees Rotation



	L1	L2	L3
A	25	20	14
B	38	20.5	25

**ZQ-CY-16**

- \* Material: SUS304;
- \* Surface Treatment: Vibration, Wire Drawing, Mirror Polishing;
- \* Structure Description: About 180 Degrees Rotation



@WZhiyu577



wangzhiyu77



@zhiyuwang-dz3vd



zhiyu2941

Instagram



wzy@ytcqmetal.com



wzy.products@gmail.com



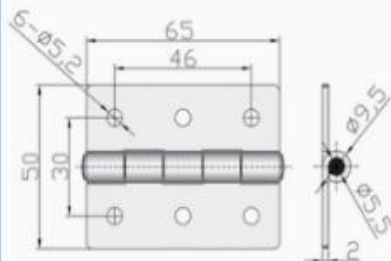
wzy.products@gmail.com



0086-0535-6110388  
0086-0535-6110399

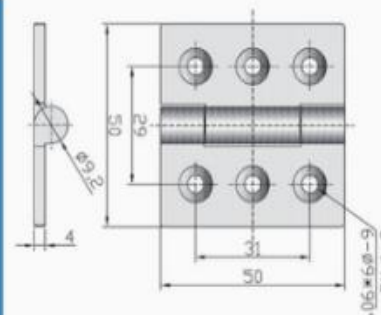


+86 17862816975



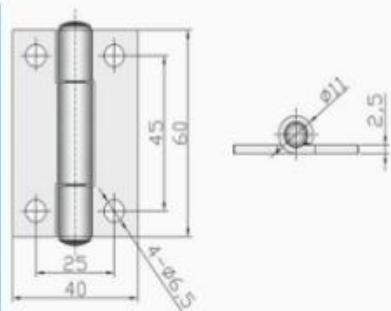
**ZQ-CY-17**

- \* Material: Carbon Steel, SUS304;
- \* Surface Treatment: Blue Zinc Plating, Vibration, Wire Drawing, Mirror Polishing;
- \* Structure Description: About 180 Degrees Rotation



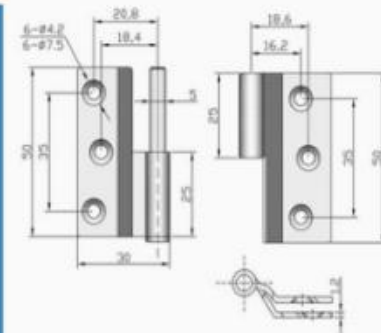
**ZQ-CY-19**

- \* Material: SUS304;
- \* Surface Treatment: Wire Drawing, Mirror Finish;
- \* Structure Description: About 180 Degrees Rotation



**ZQ-CY-18**

- \* Material: SUS304;
- \* Surface Treatment: Vibration, Wire Drawing, Mirror Polishing;
- \* Structure Description: About 180 Degrees Rotation



**ZQ-CY-20**

- \* Material: Carbon Steel;
- \* Surface Treatment: Blue Zinc Plated;
- \* Structure Description: Detachable, Rotated About 180 Degrees



@WZhiyu577



wangzhiyu77



@zhiyuwang-dz3vd



zhiyu2941

Instagram



wzy@ytcqmetal.com



wzy.products@gmail.com



wzy.products@gmail.com

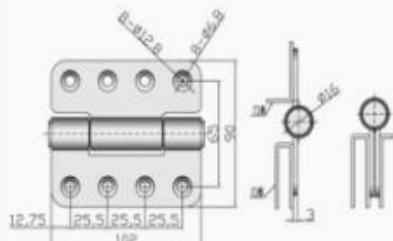


0086-0535-6110388  
0086-0535-6110399



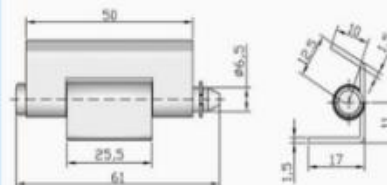
+86 17862816975





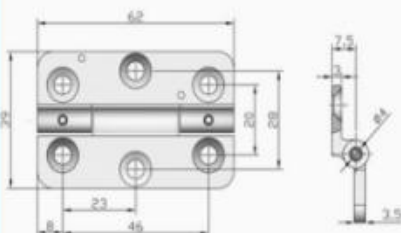
ZQ-CY-25

- \* Material: Carbon Steel, SUS304;
- \* Surface Treatment: Blue Zinc Plating, Vibration, Wire Drawing, Mirror Polishing;
- \* Structure Description: About 180 Degrees Rotation



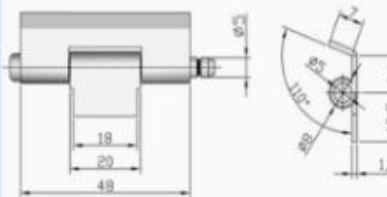
ZQ-CY-26

- \* Material: Carbon Steel, SUS304;
- \* Surface Treatment: Blue Zinc Plated, Vibration Light;
- \* Structure Description: Detachable, Rotated About 180 Degrees



ZQ-CY-27

- \* Material: SUS304;
- \* Surface Treatment: Wire Drawing, Mirror Finish;
- \* Structure Description: About 180 Degrees Rotation



ZQ-CY-28

- \* Material: SUS304;
- \* Surface Treatment: Vibration Light;
- \* Structure Description: Detachable, Rotated About 180 Degrees



@WZhiyu577



wangzhiyu77



@zhiyuwang-dz3vd



zhiyu2941

Instagram



wzy@ytcqmetal.com

Facebook

wzy.products@gmail.com



wzy.products@gmail.com

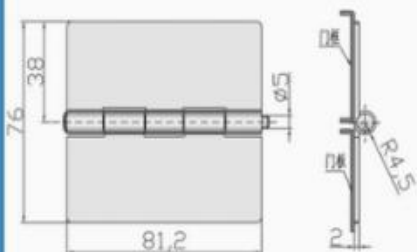
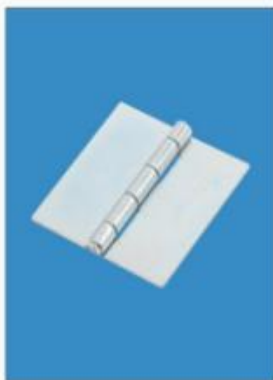


0086-0535-6110388  
0086-0535-6110399



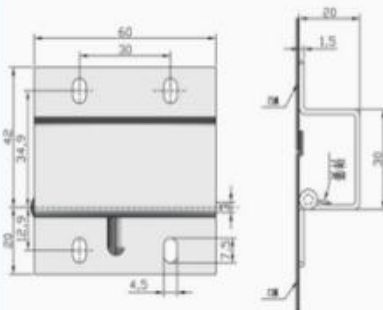
+86 17862816975





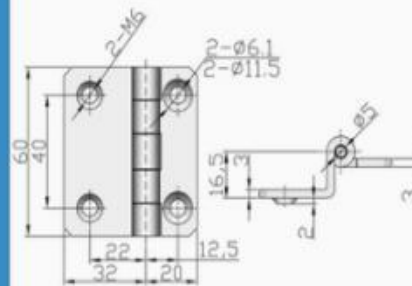
ZQ-CY-29

- \* Material: Carbon Steel;
- \* Surface Treatment: Blue Zinc Plated;
- \* Structure Description:  
About 180 Degrees Rotation



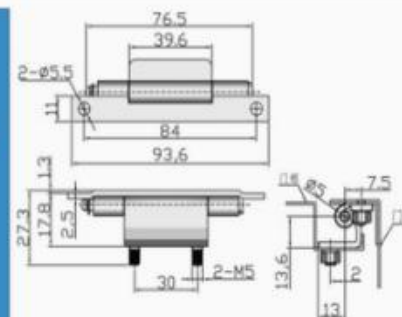
ZQ-CY-31

- \* Material: SUS304;
- \* Surface Treatment: Vibration Light;
- \* Structure Description:  
About 90 Degrees Rotation



ZQ-CY-30

- \* Material: Carbon Steel;
- \* Surface Treatment: Blue Zinc Plated;
- \* Structure Description:  
About 180 Degrees Rotation



ZQ-CY-32

- \* Material: SUS304;
- \* Surface Treatment: Vibration Light;
- \* Structure Description:  
About 180 Degrees Rotation



@WZhiyu577



wangzhiyu77



@zhiyuwang-dz3vd



zhiyu2941

Instagram



wzy@ytcqmetal.com



wzy.products@gmail.com



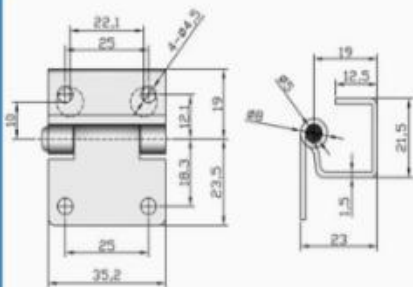
wzy.products@gmail.com



0086-0535-6110388  
0086-0535-6110399

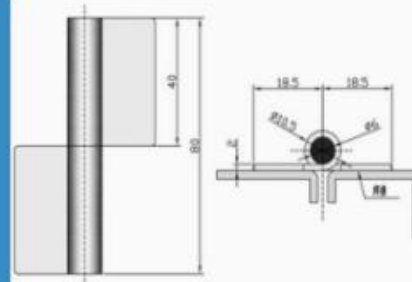
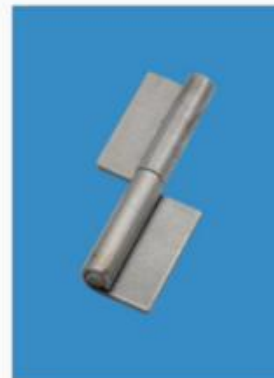


+86 17862816975



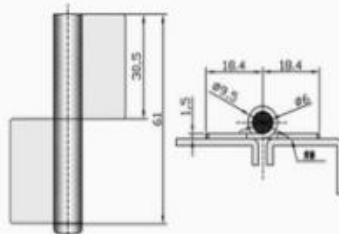
**ZQ-CY-33**

- \* Material: Carbon Steel, SUS304;
- \* Surface Treatment: Green Color Zinc, Vibration, Wire Drawing, Mirror Polishing;
- \* Structure Description: About 90 Degrees Rotation



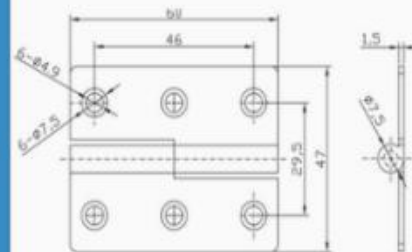
**ZQ-CY-34**

- \* Material: Carbon Steel, SUS304;
- \* Surface Treatment: True Colors, Vibration;
- \* Structure Description: Detachable, Left And Right, Rotated About 180 Degrees



**ZQ-CY-35**

- \* Material: Carbon Steel, SUS304;
- \* Surface Treatment: Color, Blue Zinc Plated, Vibration;
- \* Structure Description: Detachable, Left And Right, Rotated About 180 Degrees



**ZQ-CY-36**

- \* Material: Carbon Steel;
- \* Surface Treatment: Blue Zinc Plated;
- \* Structure Description: Detachable, Left And Right, Rotated About 180 Degrees



@WZhiyu577



wangzhiyu77



@zhiyuwang-dz3vd



zhiyu2941

Instagram



wzy@ytcqmetal.com



wzy.products@gmail.com



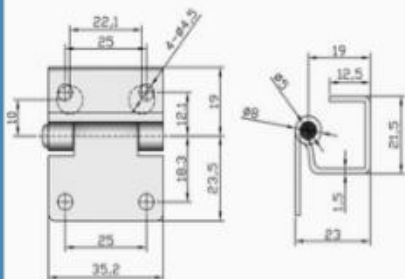
wzy.products@gmail.com



0086-0535-6110388  
0086-0535-6110399

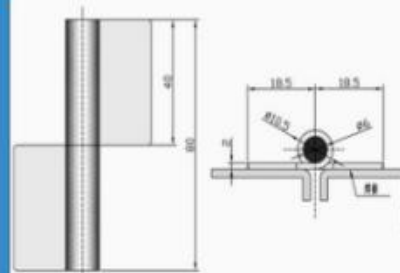


+86 17862816975



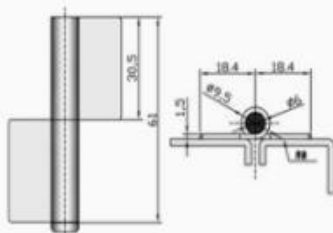
**ZQ-CY-37**

- \* Material: Carbon Steel, SUS304;
- \* Surface Treatment: Green Color Zinc, Vibration, Wire Drawing, Mirror Polishing;
- \* Structure Description: About 90 Degrees Rotation



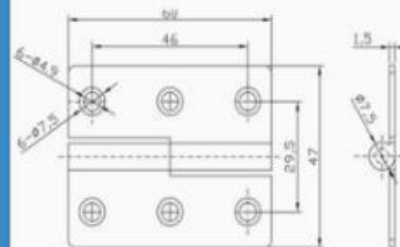
**ZQ-CY-38**

- \* Material: Carbon Steel, SUS304;
- \* Surface Treatment: True Colors, Vibration;
- \* Structure Description: Detachable, Left And Right, Rotated About 180 Degrees



**ZQ-CY-39**

- \* Material: Carbon Steel, SUS304;
- \* Surface Treatment: Color, Blue Zinc Plated, Vibration;
- \* Structure Description: Detachable, Left And Right, Rotated About 180 Degrees

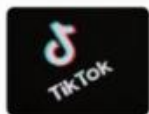


**ZQ-CY-40**

- \* Material: Carbon Steel;
- \* Surface Treatment: Blue Zinc Plated;
- \* Structure Description: Detachable, Left And Right, Rotated About 180 Degrees



@WZhiyu577



wangzhiyu77



@zhiyuwang-dz3vd



zhiyu2941

Instagram



wzy@ytcqmetal.com



wzy.products@gmail.com



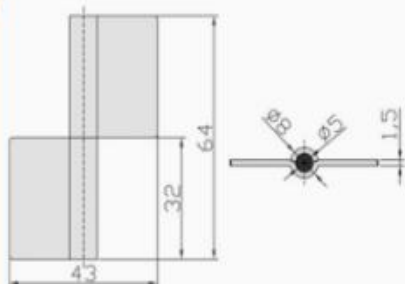
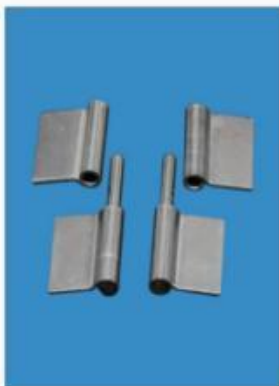
wzy.products@gmail.com



0086-0535-6110388  
0086-0535-6110399

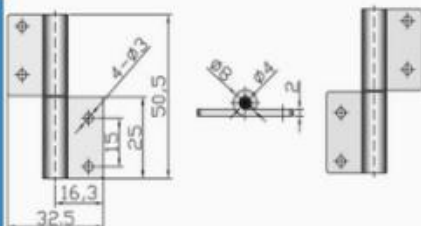


+86 17862816975



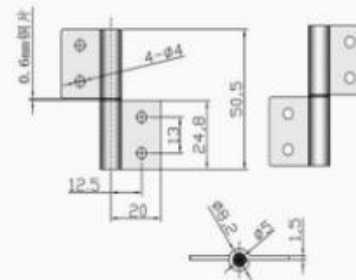
**ZQ-CY-41**

- \* Material: SUS304;
- \* Surface Treatment: Vibration, Wire Drawing, Mirror Polishing;
- \* Structure Description: Detachable, Left And Right, Rotated About 180 Degrees



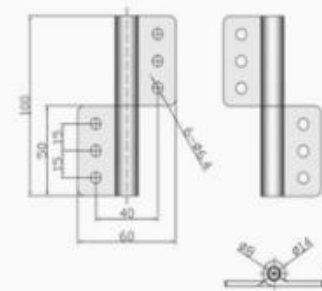
**ZQ-CY-43**

- \* Material: Carbon Steel, SUS304;
- \* Surface Treatment: Blue Zinc Plated, Vibrating Wire, Wire Drawing, Mirror Finish;
- \* Structure Description: Detachable, Left And Right, Rotated About 180 Degrees



**ZQ-CY-42**

- \* Material: SUS304;
- \* Surface Treatment: Vibration, Wire Drawing, Mirror Polishing;
- \* Structure Description: Detachable, Left And Right, Rotated About 180 Degrees



**ZQ-CY-44**

- \* Material: Carbon Steel, SUS304;
- \* Surface Treatment: Blue Zinc Plated, Vibrating Wire, Wire Drawing, Mirror Finish;
- \* Structure Description: Detachable, Left And Right, Rotated About 180 Degrees



@WZhiyu577



wangzhiyu77



@zhiyuwang-dz3vd



zhiyu2941

Instagram



wzy@ytcqmetal.com



wzy.products@gmail.com



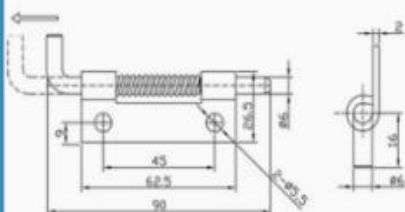
wzy.products@gmail.com



0086-0535-6110388  
0086-0535-6110399

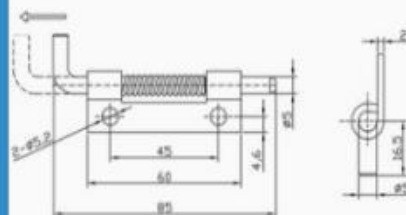


+86 17862816975



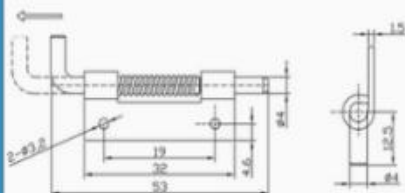
ZQ-CY-45

- \* Material: Carbon Steel, SUS304;
- \* Surface Treatment: Zinc Plated Color;
- \* Structure Description: Spring Bolt, Left And Right, Rotated About 180 Degrees



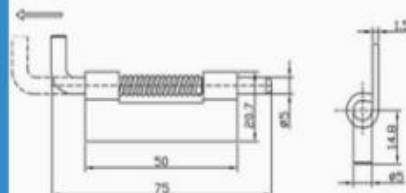
ZQ-CY-46

- \* Material: Carbon Steel, SUS304;
- \* Surface Treatment: Zinc Plated Color;
- \* Structure Description: Spring Bolt, Left And Right, Rotated About 180 Degrees



ZQ-CY-47

- \* Material: Carbon Steel, SUS304;
- \* Surface Treatment: Zinc Plated Color;
- \* Structure Description: Spring Bolt, Left And Right, Rotated About 180 Degrees



ZQ-CY-48

- \* Material: Carbon Steel, SUS304;
- \* Surface Treatment: Zinc Plated Color;
- \* Structure Description: Spring Bolt, Left And Right, Rotated About 180 Degrees



@WZhiyu577



wangzhiyu77



@zhiyuwang-dz3vd



zhiyu2941

Instagram



wzy@ytcqmetal.com



wzy.products@gmail.com



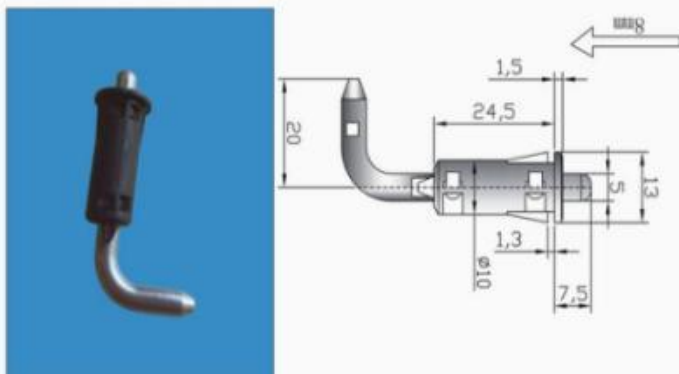
wzy.products@gmail.com



0086-0535-6110388  
0086-0535-6110399

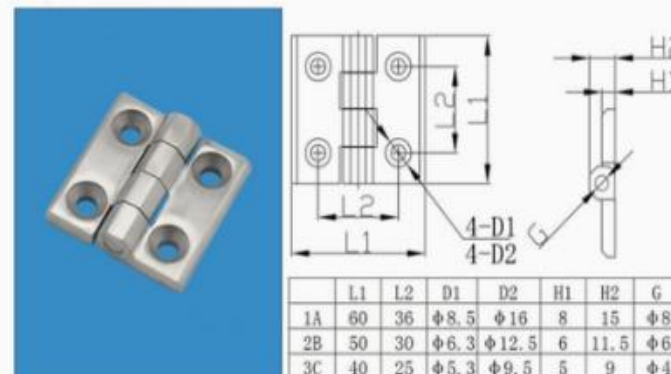


+86 17862816975



ZQ-CY-49

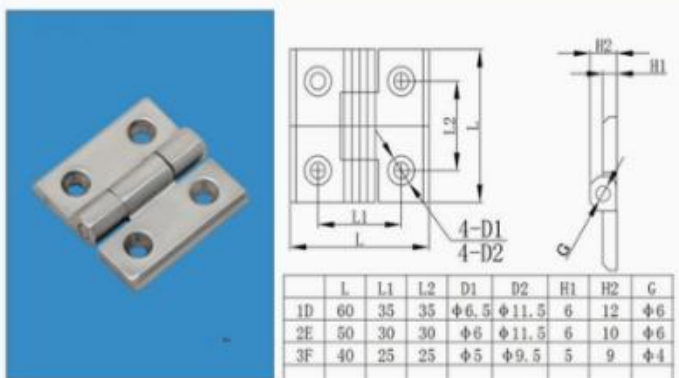
- \* Material: PA;
- \* Surface Treatment: Black;
- \* Structure Description:  
Can Be Reduced 8mm



ZQ-CY-50

- \* Material: SUS304;
- \* Surface Treatment: Wire Drawing,  
Mirror Finish;
- \* Structure Description:  
About 180 Degrees Rotation

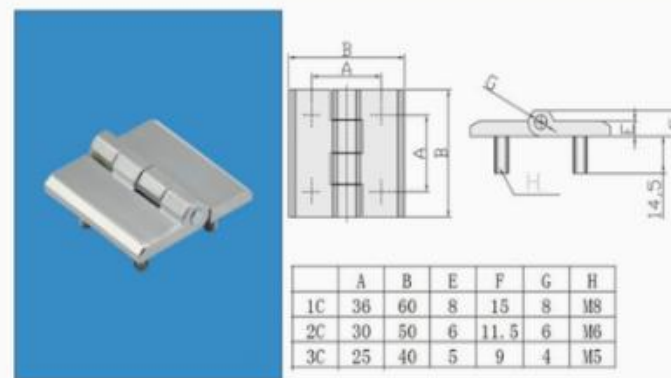
	L1	L2	D1	D2	H1	H2	G
1A	60	36	φ8.5	φ16	8	15	φ8
2B	50	30	φ6.3	φ12.5	6	11.5	φ6
3C	40	25	φ5.3	φ9.5	5	9	φ4



ZQ-CY-51

- \* Material: SUS304, SUS316;
- \* Surface Treatment: Wire Drawing,  
Mirror Finish;
- \* Structure Description:  
About 180 Degrees Rotation

	L	L1	L2	D1	D2	H1	H2	G
1D	60	35	35	φ6.5	φ11.5	6	12	φ6
2E	50	30	30	φ6	φ11.5	6	10	φ6
3F	40	25	25	φ5	φ9.5	5	9	φ4



ZQ-CY-52

- \* Material: SUS304;
- \* Surface Treatment: Wire Drawing,  
Mirror Finish;
- \* Structure Description:  
About 180 Degrees Rotation

	A	B	E	F	G	H
1C	36	60	8	15	8	M8
2C	30	50	6	11.5	6	M6
3C	25	40	5	9	4	M5



@WZhiyu577



wangzhiyu77



@zhiyuwang-dz3vd



zhiyu2941

Instagram



wzy@ytcqmetal.com



wzy.products@gmail.com



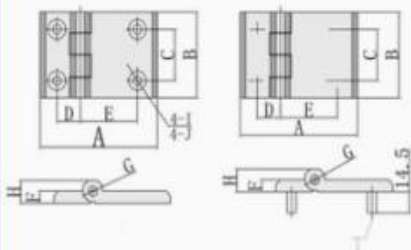
wzy.products@gmail.com



0086-0535-6110388  
0086-0535-6110399



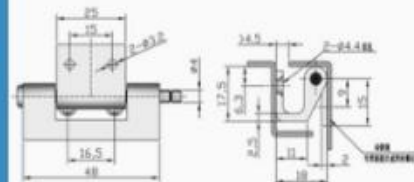
+86 17862816975



	A	B	C	D	E	F	G	H	I	J	T
11	90	60	35	18	44	8	8	15	Φ8.5	Φ16	/
12	90	60	30	18	44	8	8	15	/	/	98
13	63	50	30	15	28	6	6	11.5	Φ6.7	Φ13.5	/
14	63	50	30	15	28	6	6	11.5	/	/	96

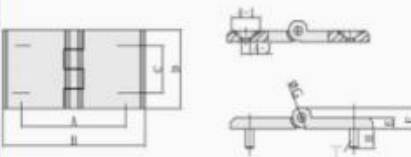
## ZQ-CY-53

- \* Material: SUS304;
- \* Surface Treatment: Wire Drawing, Mirror Finish;
- \* Structure Description: About 180 Degrees Rotation



## ZQ-CY-54

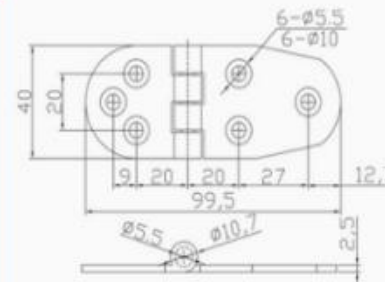
- \* Material: SUS304;
- \* Surface Treatment: Color + Vibration, Wire Drawing, Mirror Polishing;
- \* Structure Description: About 180 Degrees Rotation



	A	B	C	D	E	F	G	H	I	J	T
12	56	76	30	30	6	11.5	6	/	Φ8.5	Φ13.5	/
22	56	76	30	30	6	11.5	6	12.5	/	/	96
32	88	120	36	60	8	15	8	/	Φ8.5	Φ16	/
42	88	120	36	60	8	15	8	16.5	/	/	98

## ZQ-CY-55

- \* Material: SUS304;
- \* Surface Treatment: Wire Drawing, Mirror Finish;
- \* Structure Description: About 180 Degrees Rotation



## ZQ-CY-56

- \* Material: Carbon Steel, SUS304;
- \* Surface Treatment: Blue Zinc Plated, Vibrating Wire, Wire Drawing, Mirror Finish;
- \* Structure Description: About 180 Degrees Rotation



@WZhiyu577



wangzhiyu77



@zhiyuwang-dz3vd



zhiyu2941

Instagram



wzy@ytcqmetal.com



wzy.products@gmail.com



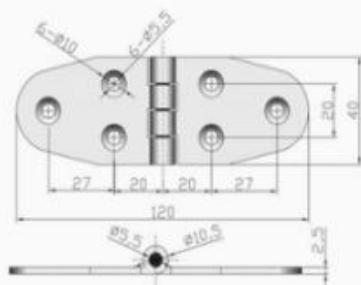
wzy.products@gmail.com



0086-0535-6110388  
0086-0535-6110399

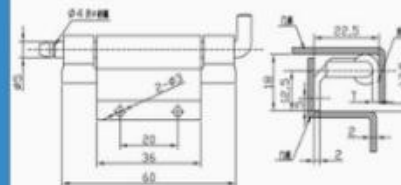


+86 17862816975



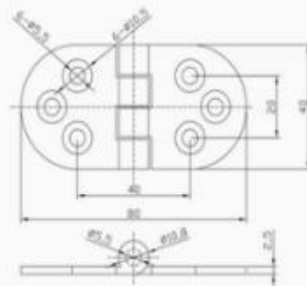
ZQ-CY-57

- \* Material: Carbon Steel, SUS304;
- \* Surface Treatment: Blue Zinc Plated, Vibrating Wire, Wire Drawing, Mirror Finish;
- \* Structure Description: About 180 Degrees Rotation



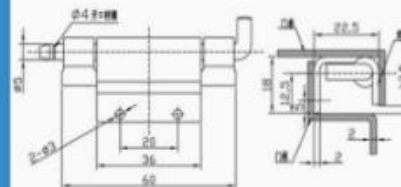
ZQ-CY-58

- \* Material: Carbon Steel, SUS304;
- \* Surface Treatment: Blue Zinc Plated, Vibration Light;
- \* Structure Description: Detachable, Rotated About 180 Degrees



ZQ-CY-59

- \* Material: Carbon Steel, SUS304;
- \* Surface Treatment: Blue Zinc Plated, Vibrating Wire, Wire Drawing, Mirror Finish;
- \* Structure Description: About 180 Degrees Rotation



ZQ-CY-60

- \* Material: Carbon Steel;
- \* Surface Treatment: Blue Zinc Plated;
- \* Structure Description: Detachable, Rotated About 120 Degrees



@WZhiyu577



wangzhiyu77



@zhiyuwang-dz3vd



zhiyu2941

Instagram



wzy@ytcqmetal.com



wzy.products@gmail.com



wzy.products@gmail.com

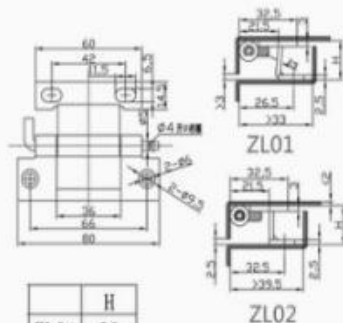


0086-0535-6110388  
0086-0535-6110399



+86 17862816975

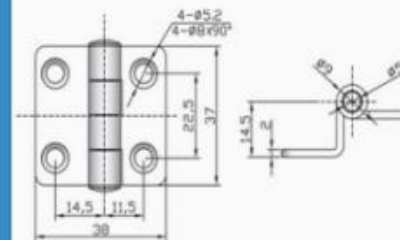




	H
ZL01	20
ZL02	24.5

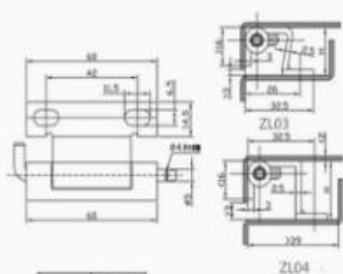
## ZQ-CY-61

- \* Material: Carbon Steel, SUS304;
- \* Surface Treatment: Blue Zinc Plated, Vibration Light;
- \* Structure Description: Dooraroundgm, Rotation About 120 Degrees



## ZQ-CY-62

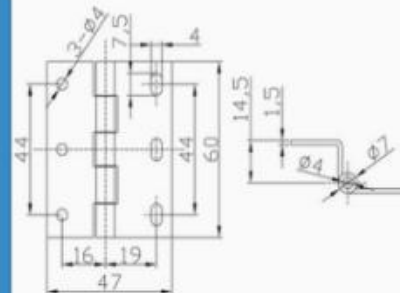
- \* Material: SUS201, SUS304;
- \* Surface Treatment: Vibration, Wire Drawing, Mirror Polishing;
- \* Structure Description: About 180 Degrees Rotation



	H
ZL03	20
ZL04	24.5

## ZQ-CY-63

- \* Material: Carbon Steel, SUS304;
- \* Surface Treatment: Blue Zinc Plated, Vibration Light;
- \* Structure Description: Dooraroundgm, Rotation About 120 Degrees



## ZQ-CY-64

- \* Material: Carbon Steel;
- \* Surface Treatment: Blue Zinc Plated;
- \* Structure Description: About 180 Degrees Rotation



@WZhiyu577



wangzhiyu77



@zhiyuwang-dz3vd



zhiyu2941

Instagram



wzy@ytcqmetal.com



wzy.products@gmail.com



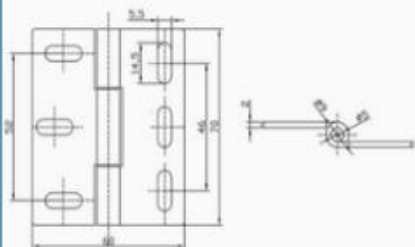
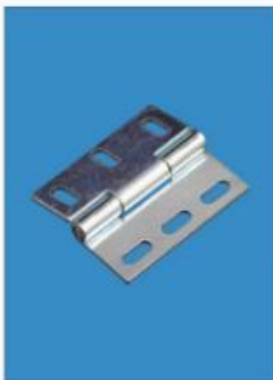
wzy.products@gmail.com



0086-0535-6110388  
0086-0535-6110399

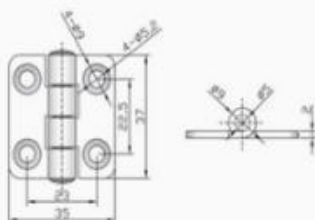


+86 17862816975



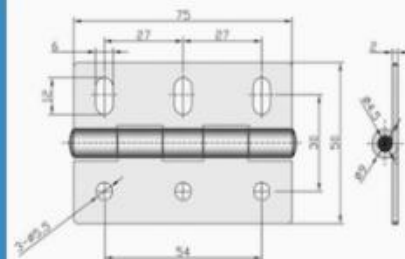
**ZQ-CY-65**

- \* Material: Carbon Steel;
- \* Surface Treatment: Blue Zinc Plated;
- \* Structure Description: About 180 Degrees Rotation



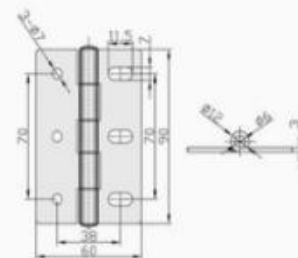
**ZQ-CY-67**

- \* Material: Carbon Steel, SUS201, SUS304;
- \* Surface Treatment: Blue Zinc Plated, Vibrating Wire, Wire Drawing, Mirror Finish;
- \* Structure Description: About 180 Degrees Rotation



**ZQ-CY-66**

- \* Material: Carbon Steel, SUS201, SUS304;
- \* Surface Treatment: Blue Zinc Plated, Vibrating Wire, Wire Drawing, Mirror Finish;
- \* Structure Description: About 180 Degrees Rotation



**ZQ-CY-68**

- \* Material: Carbon Steel, SUS201, SUS304;
- \* Surface Treatment: Blue Zinc Plated, Vibrating Wire, Wire Drawing, Mirror Finish;
- \* Structure Description: About 180 Degrees Rotation



@WZhiyu577



wangzhiyu77



@zhiyuwang-dz3vd



zhiyu2941

Instagram



wzy@ytcqmetal.com



wzy.products@gmail.com



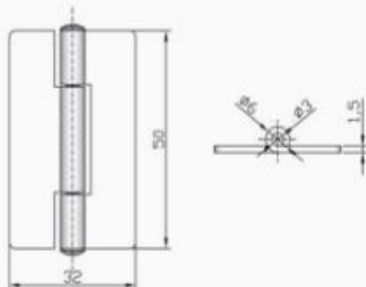
wzy.products@gmail.com



0086-0535-6110388  
0086-0535-6110399

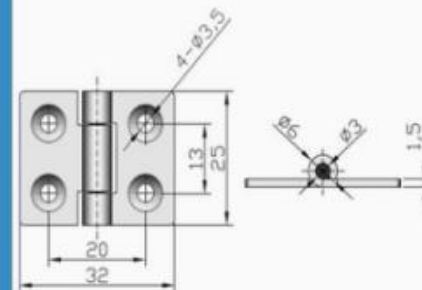


+86 17862816975



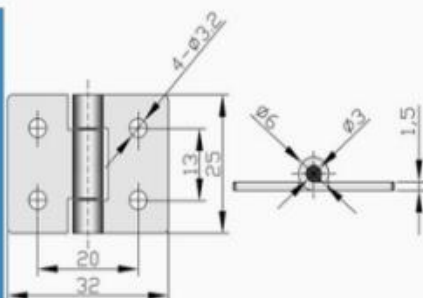
**ZQ-CY-69**

- \* Material: SUS201, SUS304;
- \* Surface Treatment: Vibration, Wire Drawing, Mirror Polishing;
- \* Structure Description: About 180 Degrees Rotation



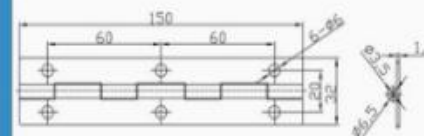
**ZQ-CY-70**

- \* Material: SUS304;
- \* Surface Treatment: Vibration, Wire Drawing, Mirror Polishing;
- \* Structure Description: About 180 Degrees Rotation



**ZQ-CY-71**

- \* Material: SUS201, SUS304;
- \* Surface Treatment: Vibration, Wire Drawing, Mirror Polishing;
- \* Structure Description: About 180 Degrees Rotation



**ZQ-CY-72**

- \* Material: Carbon Steel, SUS304;
- \* Surface Treatment: Blue Zinc Plated, Vibrating Wire, Wire Drawing, Mirror Finish;
- \* Structure Description: About 180 Degrees Rotation



@WZhiyu577



wangzhiyu77



@zhiyuwang-dz3vd



zhiyu2941

Instagram



wzy@ytcqmetal.com



wzy.products@gmail.com



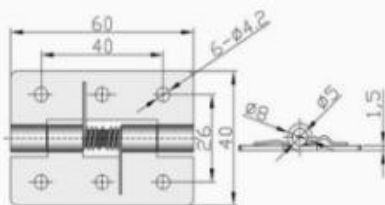
wzy.products@gmail.com



0086-0535-6110388  
0086-0535-6110399

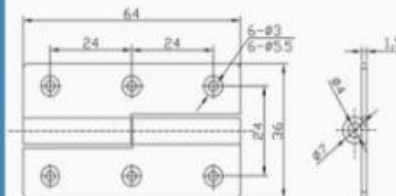


+86 17862816975



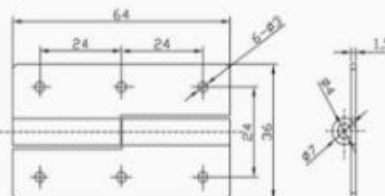
ZQ-CY-73

- \* Material: SUS304, SUS316;
- \* Surface Treatment: Vibration, Wire Drawing, Mirror Polishing;
- \* Structure Description: About 180 Degrees Rotation



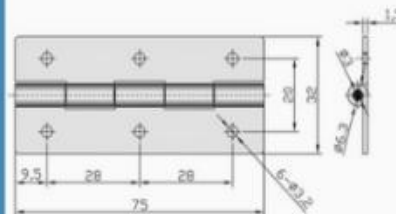
ZQ-CY-74

- \* Material: SUS304;
- \* Surface Treatment: Vibration, Wire Drawing, Mirror Polishing;
- \* Structure Description: Detachable, Left And Right, Rotated About 180 Degrees



ZQ-CY-75

- \* Material: Carbon Steel, SUS304;
- \* Surface Treatment: Blue Zinc Plating, Vibration, Wire Drawing, Mirror Polishing;
- \* Structure Description: Detachable, Left And Right, Rotated About 180 Degrees



ZQ-CY-76

- \* Material: 304 Stainless Steel.
- \* Surface Treatment: Mirror Polishing.
- \* Structure Description: About 180 Degrees Rotation



@WZhiyu577



wangzhiyu77



@zhiyuwang-dz3vd



zhiyu2941

Instagram



wzy@ytcqmetal.com



wzy.products@gmail.com



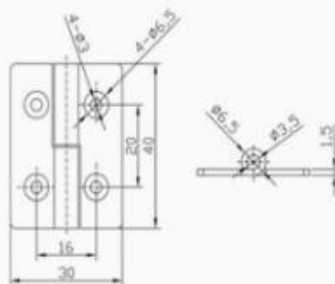
wzy.products@gmail.com



0086-0535-6110388  
0086-0535-6110399

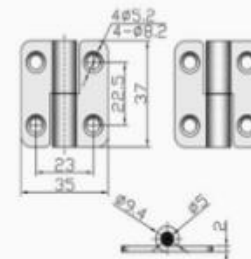


+86 17862816975



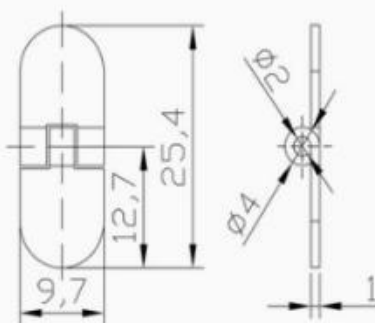
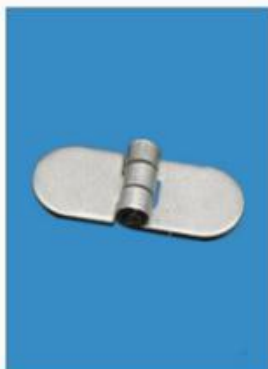
ZQ-CY-77

- \* Material: Carbon Steel, SUS304;
- \* Surface Treatment: Blue Zinc Plating, Vibration, Wire Drawing, Mirror Polishing;
- \* Structure Description: Detachable, Left And Right, Rotated About 180 Degrees



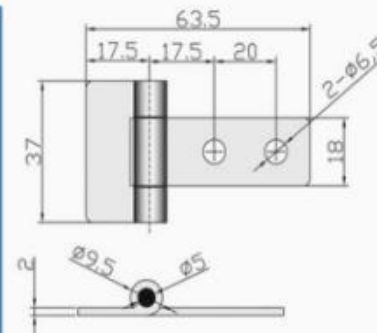
ZQ-CY-78

- \* Material: SUS304;
- \* Surface Treatment: Vibration, Wire Drawing, Mirror Polishing;
- \* Structure Description: Detachable, Left And Right, Rotated About 180 Degrees



ZQ-CY-79

- \* Material: 304 Stainless Steel.
- \* Surface Treatment: Mirror Polishing.
- \* Structure Description: About 180 Degrees Rotation



ZQ-CY-80

- \* Material: 304 Stainless Steel.
- \* Surface Treatment: Mirror Polishing.
- \* Structure Description: About 180 Degrees Rotation



@WZhiyu577



wangzhiyu77



@zhiyuwang-dz3vd



zhiyu2941

Instagram



wzy@ytcqmetal.com



wzy.products@gmail.com



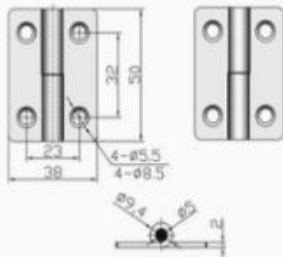
wzy.products@gmail.com



0086-0535-6110388  
0086-0535-6110399

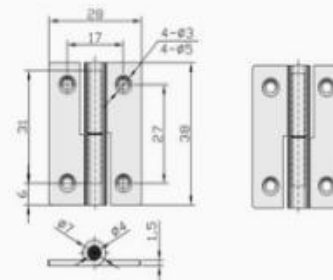


+86 17862816975



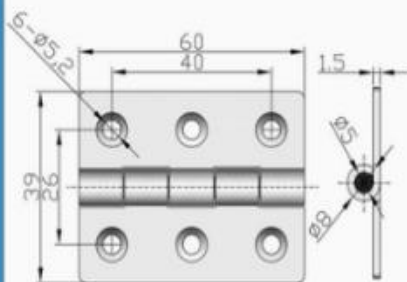
ZQ-CY-81

- \* Material: SUS304;
- \* Surface Treatment: Vibration, Wire Drawing, Mirror Polishing;
- \* Structure Description: Detachable, Left And Right, Rotated About 180 Degrees



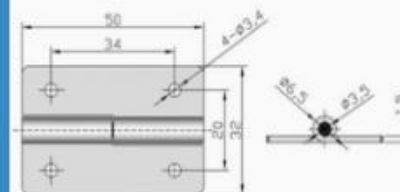
ZQ-CY-82

- \* Material: SUS304;
- \* Surface Treatment: Vibration, Wire Drawing, Mirror Polishing;
- \* Structure Description: Detachable, Left And Right, Rotated About 180 Degrees



ZQ-CY-83

- \* Material: 304 Stainless Steel.
- \* Surface Treatment: Mirror Polishing.
- \* Structure Description: About 180 Degrees Rotation



ZQ-CY-84

- \* Material: SUS304;
- \* Surface Treatment: Vibration, Wire Drawing, Mirror Polishing;
- \* Structure Description: Detachable, Left And Right, Rotated About 180 Degrees



@WZhiyu577



wangzhiyu77



@zhiyuwang-dz3vd



zhiyu2941

Instagram



wzy@ytcqmetal.com



wzy.products@gmail.com



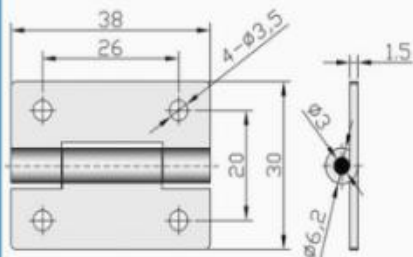
wzy.products@gmail.com



0086-0535-6110388  
0086-0535-6110399

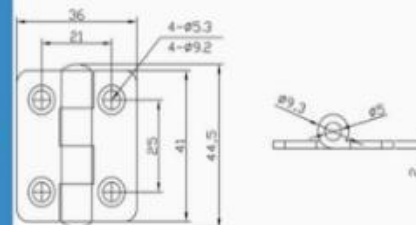


+86 17862816975



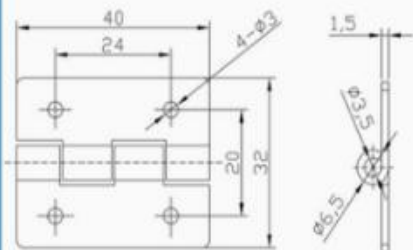
ZQ-CY-85

- \* Material: SUS304;
- \* Surface Treatment: Vibration, Wire Drawing, Mirror Polishing;
- \* Structure Description: About 180 Degrees Rotation



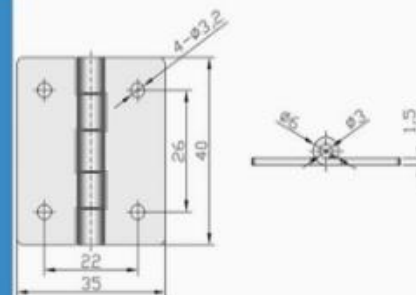
ZQ-CY-86

- \* Material: SUS304;
- \* Surface Treatment: Vibration, Wire Drawing, Mirror Polishing;
- \* Structure Description: About 180 Degrees Rotation



ZQ-CY-87

- \* Material: Carbon Steel, SUS304;
- \* Surface Treatment: Blue Zinc Plating, Vibration, Wire Drawing, Mirror Polishing;
- \* Structure Description: About 180 Degrees Rotation



ZQ-CY-88

- \* Material: SUS304;
- \* Surface Treatment: Vibration, Wire Drawing, Mirror Polishing;
- \* Structure Description: About 180 Degrees Rotation



@WZhiyu577



wangzhiyu77



@zhiyuwang-dz3vd



zhiyu2941

Instagram



wzy@ytcqmetal.com



wzy.products@gmail.com



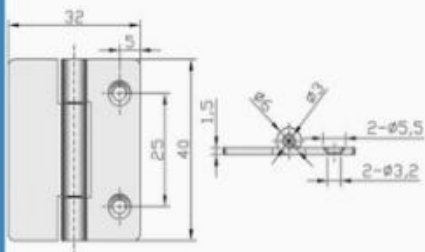
wzy.products@gmail.com



0086-0535-6110388  
0086-0535-6110399

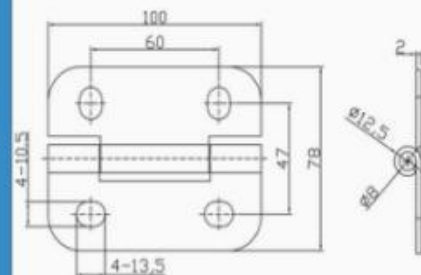


+86 17862816975



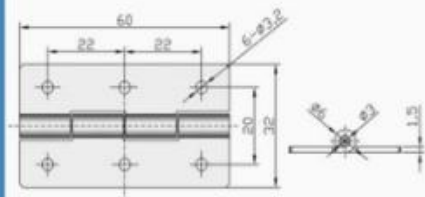
**ZQ-CY-89**

- \* Material: SUS304;
- \* Surface Treatment: Vibration, Wire Drawing, Mirror Polishing;
- \* Structure Description: About 180 Degrees Rotation



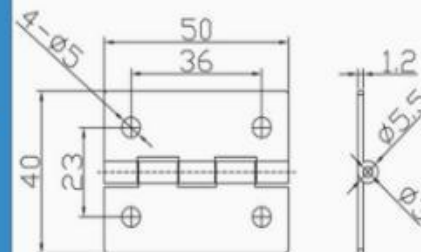
**ZQ-CY-90**

- \* Material: Carbon Steel, SUS304;
- \* Surface Treatment: Blue Zinc Plated, Spray Black, Wire Drawing, Mirror Finish;
- \* Structure Description: About 180 Degrees Rotation



**ZQ-CY-91**

- \* Material: SUS304;
- \* Surface Treatment: Vibration, Wire Drawing, Mirror Polishing;
- \* Structure Description: About 180 Degrees Rotation



**ZQ-CY-92**

- \* Material: Carbon Steel, SUS304;
- \* Surface Treatment: Blue Zinc Plated, Vibrating Wire, Wire Drawing, Mirror Finish;
- \* Structure Description: About 180 Degrees Rotation



@WZhiyu577



wangzhiyu77



@zhiyuwang-dz3vd



zhiyu2941

Instagram



wzy@ytcqmetal.com



wzy.products@gmail.com



wzy.products@gmail.com

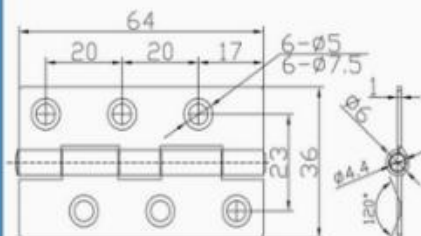
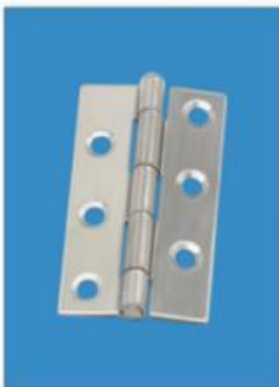


0086-0535-6110388  
0086-0535-6110399



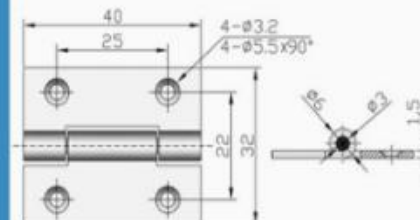
+86 17862816975





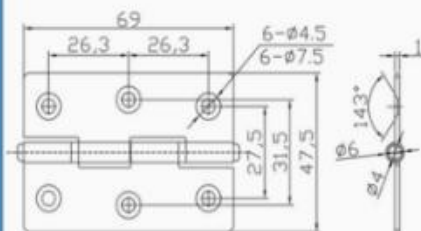
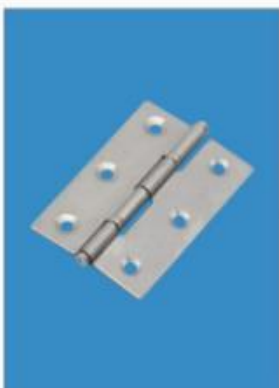
**ZQ-CY-93**

- \* Material: SUS304;
- \* Surface Treatment: Vibration, Wire Drawing, Mirror Polishing;
- \* Structure Description: About 180 Degrees Rotation



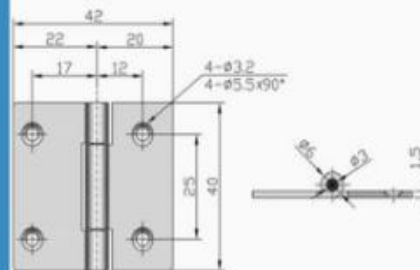
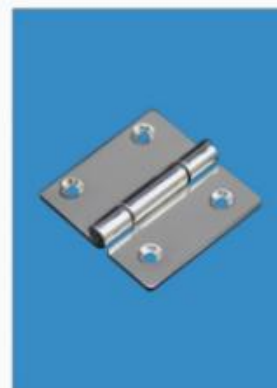
**ZQ-CY-94**

- \* Material: SUS304;
- \* Surface Treatment: Vibration, Wire Drawing, Mirror Polishing;
- \* Structure Description: About 180 Degrees Rotation



**ZQ-CY-95**

- \* Material: SUS304;
- \* Surface Treatment: Vibration, Wire Drawing, Mirror Polishing;
- \* Structure Description: About 180 Degrees Rotation



**ZQ-CY-96**

- \* Material: SUS304;
- \* Surface Treatment: Vibration, Wire Drawing, Mirror Polishing;
- \* Structure Description: About 180 Degrees Rotation



@WZhiyu577



wangzhiyu77



@zhiyuwang-dz3vd



zhiyu2941

Instagram



wzy@ytcqmetal.com



wzy.products@gmail.com



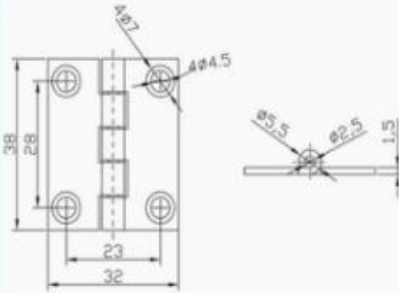
wzy.products@gmail.com



0086-0535-6110388  
0086-0535-6110399

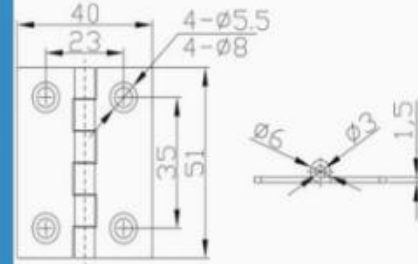
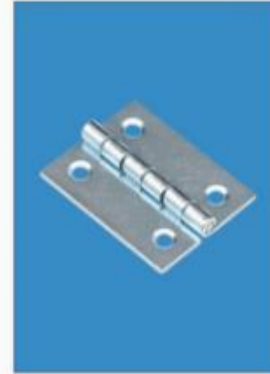


+86 17862816975



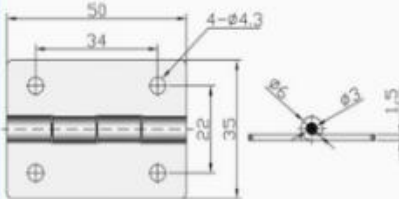
ZQ-CY-97

- \* Material: Carbon Steel;
- \* Surface Treatment: Blue Zinc Plated;
- \* Structure Description: About 180 Degrees Rotation



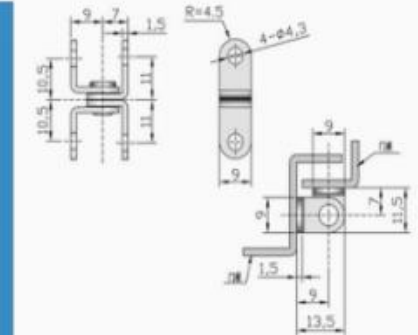
ZQ-CY-98

- \* Material: Carbon Steel;
- \* Surface Treatment: Blue Zinc Plated;
- \* Structure Description: About 180 Degrees Rotation



ZQ-CY-99

- \* Material: SUS304;
- \* Surface Treatment: Vibration, Wire Drawing, Mirror Polishing;
- \* Structure Description: About 180 Degrees Rotation



ZQ-CY-100

- \* Material: Carbon Steel;
- \* Surface Treatment: Blue Zinc Plated;
- \* Structure Description: Hinge, Dooraroundgm; Rotation About 180 Degrees, Screws



@WZhiyu577



wangzhiyu77



@zhiyuwang-dz3vd



zhiyu2941

Instagram



wzy@ytcqmetal.com



wzy.products@gmail.com



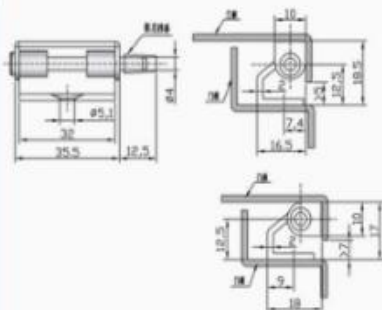
wzy.products@gmail.com



0086-0535-6110388  
0086-0535-6110399

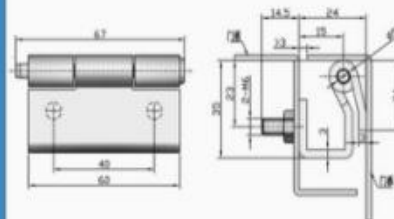


+86 17862816975



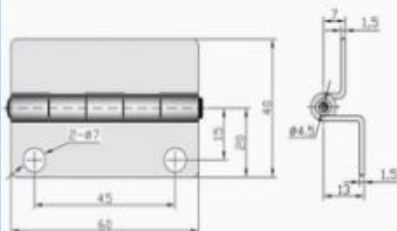
ZQ-CY-101

- \* Material: Carbon Steel, SUS304;
- \* Surface Treatment: Blue Zinc Plated, Vibration Light;
- \* Structure Description: Dooraroundgm, Rotation About 120 Degrees



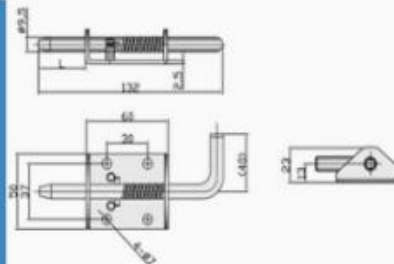
ZQ-CY-102

- \* Material: Carbon Steel;
- \* Surface Treatment: Blue Zinc Plated;
- \* Structure Description: Aroundopencommon, Rotation About 120 Degrees Door With Fixed Hinge Welded Fixed



ZQ-CY-103

- \* Material: Carbon Steel, SUS304;
- \* Surface Treatment: Blue Zinc Plated, Vibrating Wire, Mirror Finish;
- \* Structure Description: Dooraroundgm, Rotation About 180 Degrees



ZQ-CY-104

- \* Material: Carbon Steel, SUS304;
- \* Surface Treatment: Blue Zinc Plated, Vibration Light;
- \* Structure Description: Boltconcealed Hinges, Change Open The Doorlatchto Achievecom Mondirection, Rotated About 120 Degrees

	L
A	34.5
B	29



@WZhiyu577



wangzhiyu77



@zhiyuwang-dz3vd



zhiyu2941

Instagram



wzy@ytcqmetal.com



wzy.products@gmail.com



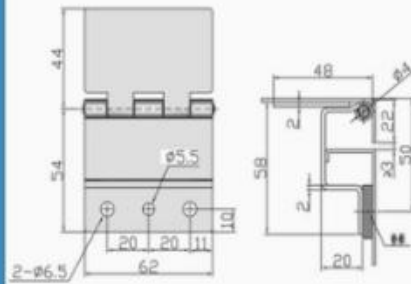
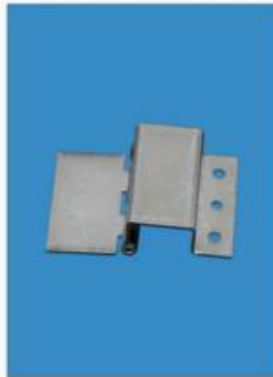
wzy.products@gmail.com



0086-0535-6110388  
0086-0535-6110399

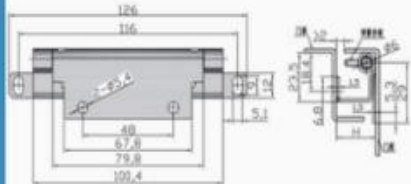


+86 17862816975



## ZQ-CY-105

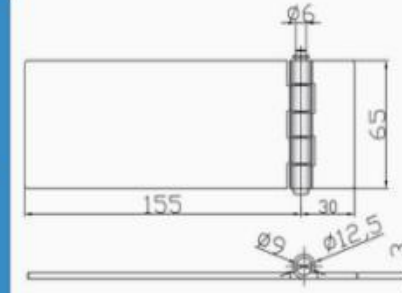
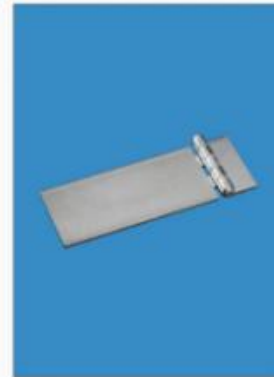
- \* Material: Carbon Steel, SUS304;
- \* Surface Treatment: White Zinc Plating;
- \* Structure Description: About 90 Degrees Rotation



	H
A	24.5
B	20.5
C	17.5

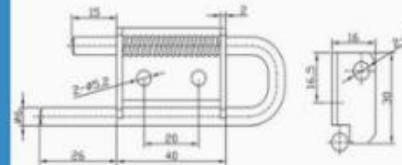
## ZQ-CY-107

- \* Material: Carbon Steel, SUS304;
- \* Surface Treatment: Blue Zinc Plated, Vibration Light;
- \* Structure Description: Dark Hinge, Dooraroundgm, Rotated About 120 Degrees



## ZQ-CY-106

- \* Material: Carbon Steel, SUS304;
- \* Surface Treatment: White Zinc Plated; Vibrating Wire, Mirror Finish;
- \* Structure: According To The Situation Of Self Door Bending Processing, Rotation About 180 Degrees



## ZQ-CY-108

- \* Material: Carbon Steel, SUS304;
- \* Surface Treatment: Blue Zinc Plated, Vibrating Wire;
- \* Structure Description: Detachable Exchange, Open The Door Latch To Achievecom Mondirection, Rotated About 180 Degrees



@WZhiyu577



wangzhiyu77



@zhiyuwang-dz3vd



zhiyu2941

Instagram



wzy@ytcqmetal.com



wzy.products@gmail.com



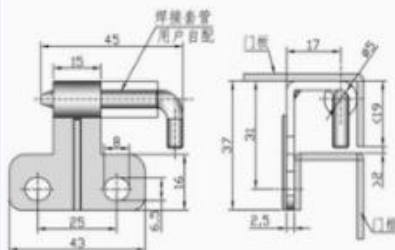
wzy.products@gmail.com



0086-0535-6110388  
0086-0535-6110399

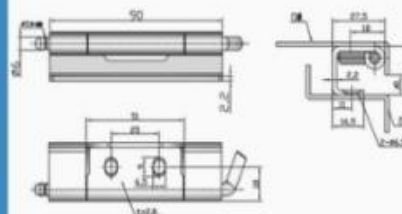


+86 17862816975



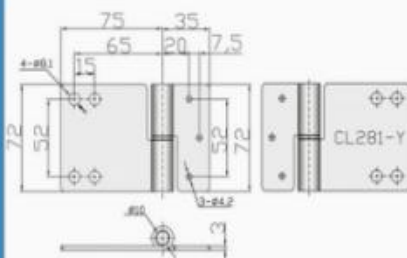
**ZQ-CY-109**

- \* Material: Carbon Steel;
- \* Surface Treatment: Spray Static Hinge (Hei Danguang), White Zinc Plated Pins;
- \* Structure Description: About 120 Degrees Rotation



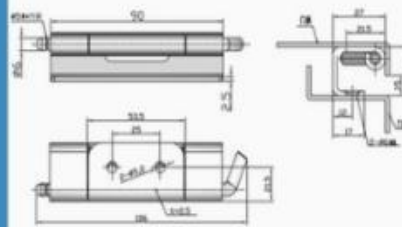
**ZQ-CY-110**

- \* Material: Carbon Steel, SUS201, SUS304;
- \* Surface Treatment: Blue Zinc Plated, Vibrating Wire, Wire Drawing, Mirror Finish;
- \* Structure Description: About 120 Degrees Rotation



**ZQ-CY-111**

- \* Material: Carbon steel, SUS304;
- \* Surface Treatment: Blue Zinc Plating, Wire Drawing, Mirror Polishing;
- \* Structure Description: Detachable, Left And Right, Rotated About 180 Degrees



**ZQ-CY-112**

- \* Material: SUS304;
- \* Surface Treatment: Vibration Light;
- \* Structure Description: About 120 Degrees Rotation



@WZhiyu577



wangzhiyu77



@zhiyuwang-dz3vd



zhiyu2941

Instagram



wzy@ytcqmetal.com



wzy.products@gmail.com



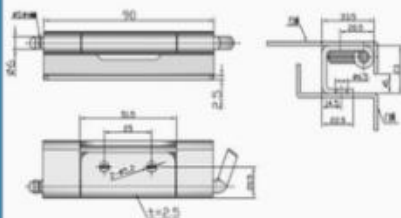
wzy.products@gmail.com



0086-0535-6110388  
0086-0535-6110399

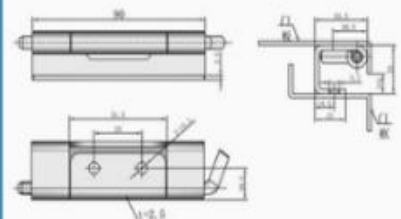


+86 17862816975



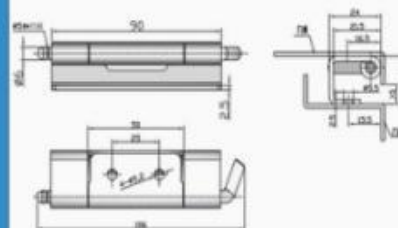
ZQ-CY-113

- \* Material: SUS304;
- \* Surface Treatment: Vibration, Wire Drawing, Mirror Polishing;
- \* Structure Description: About 120 Degrees Rotation



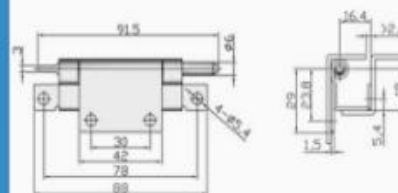
ZQ-CY-115

- \* Material: Carbon Steel, SUS304;
- \* Surface Treatment: Blue Zinc Plated, Vibration Light;
- \* Structure Description: About 120 Degrees Rotation



ZQ-CY-114

- \* Material: SUS304;
- \* Surface Treatment: Vibration Light;
- \* Structure Description: About 120 Degrees Rotation



ZQ-CY-116

- \* Material: Carbon Steel, SUS304;
- \* Surface Treatment: Blue Zinc Plated, Vibration Light;
- \* Structure Description: About 120 Degrees Rotation



@WZhiyu577



wangzhiyu77



@zhiyuwang-dz3vd



zhiyu2941

Instagram



wzy@ytcqmetal.com



wzy.products@gmail.com



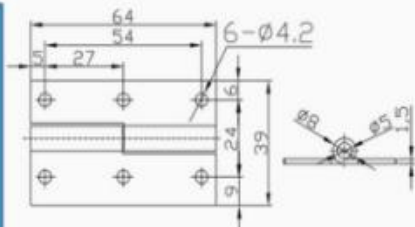
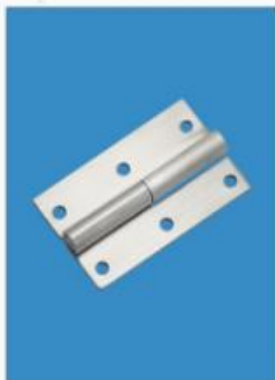
wzy.products@gmail.com



0086-0535-6110388  
0086-0535-6110399

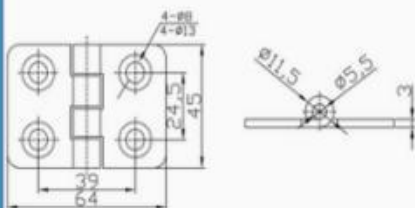


+86 17862816975



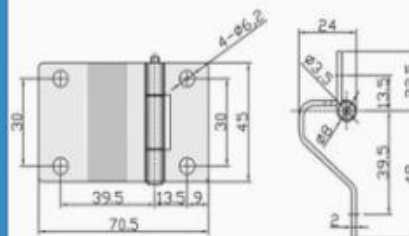
ZQ-CY-117

- \* Material: SUS201, SUS304;
- \* Surface Treatment: Wire Drawing, Mirror Finish;
- \* Structure Description: Detachable, Left And Right, Rotated About 180 Degrees



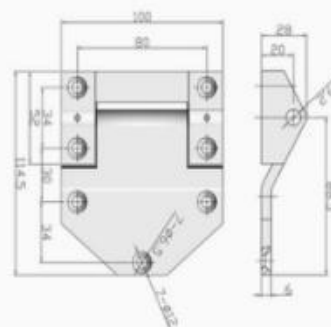
ZQ-CY-119

- \* Material: Carbon Steel, SUS304;
- \* Surface Treatment: Blue Zinc Plated, Vibrating Wire, Wire Drawing, Mirror Finish;
- \* Structure Description: About 180 Degrees Rotation



ZQ-CY-118

- \* Material: Carbon Steel, SUS304;
- \* Surface Treatment: Color, Blue Zinc Plated, Vibration Light;
- \* Structure Description: About 90 Degrees Rotation



ZQ-CY-120

- \* Material: SUS304;
- \* Surface Treatment: Wire Drawing, Mirror Finish;
- \* Structure Description: About 180 Degrees Rotation



@WZhiyu577



wangzhiyu77



@zhiyuwang-dz3vd



zhiyu2941

Instagram



wzy@ytcqmetal.com



wzy.products@gmail.com



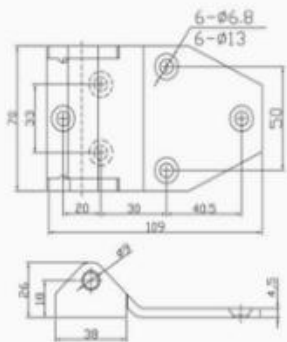
wzy.products@gmail.com



0086-0535-6110388  
0086-0535-6110399

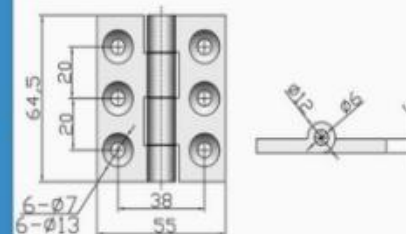


+86 17862816975



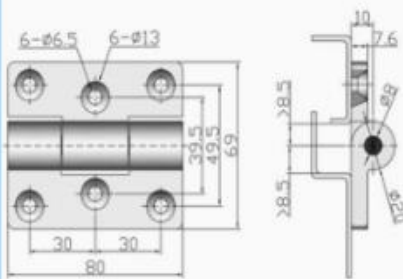
**ZQ-CY-121**

- \* Material: SUS304;
- \* Surface Treatment: Wire Drawing, Mirror Finish;
- \* Structure Description: About 180 Degrees Rotation



**ZQ-CY-122**

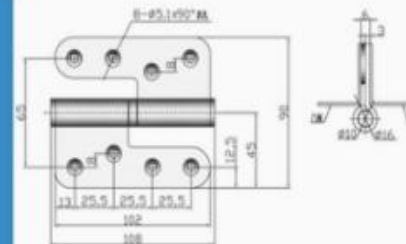
- \* Material: SUS304;
- \* Surface Treatment: Wire Drawing, Mirror Finish;
- \* Structure Description: About 180 Degrees Rotation



物料号ERP: H23354M001

**ZQ-CY-123**

- \* Material: SUS304;
- \* Surface Treatment: Wire Drawing, Mirror Finish;
- \* Structure Description: About 180 Degrees Rotation



**ZQ-CY-124**

- \* Material: Carbon Steel, SUS304;
- \* Surface Treatment: Blue Zinc Plated, Wire Drawing, Mirror Finish;
- \* Structure Description: Detachable, Left And Right, Rotated About 180 Degrees



@WZhiyu577



wangzhiyu77



@zhiyuwang-dz3vd



zhiyu2941

Instagram



wzy@ytcqmetal.com



wzy.products@gmail.com



wzy.products@gmail.com

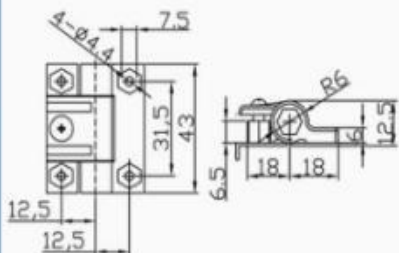


0086-0535-6110388  
0086-0535-6110399



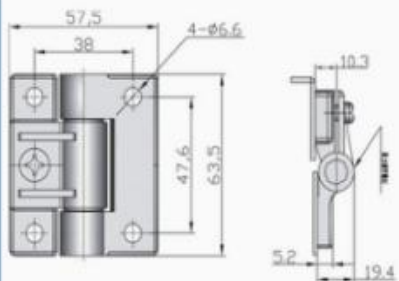
+86 17862816975





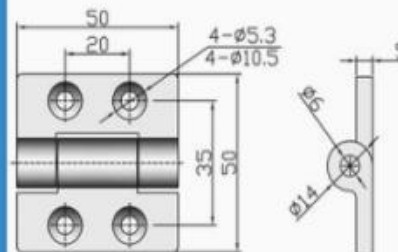
**ZQ-CY-125**

- \* Material: Nylon;
- \* Surface Treatment: Black;
- \* Structure Description: About 160 Degrees Rotation



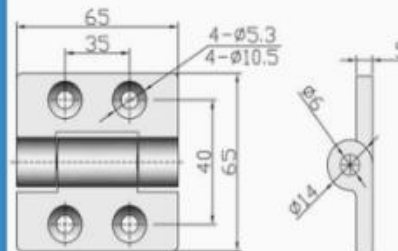
**ZQ-CY-127**

- \* Material: Nylon;
- \* Surface Treatment: Black;
- \* Structure Description: About 165 Degrees Rotation



**ZQ-CY-126**

- \* Material: SUS304;
- \* Surface Treatment: Wire Drawing, Mirror Finish;
- \* Structure Description: About 180 Degrees Rotation



**ZQ-CY-128**

- \* Material: SUS304;
- \* Surface Treatment: Wire Drawing, Mirror Finish;
- \* Structure Description: About 180 Degrees Rotation



@WZhiyu577



wangzhiyu77



@zhiyuwang-dz3vd



zhiyu2941

Instagram



wzy@ytcqmetal.com



wzy.products@gmail.com



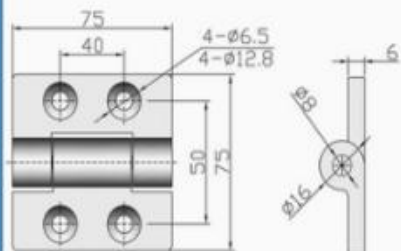
wzy.products@gmail.com



0086-0535-6110388  
0086-0535-6110399

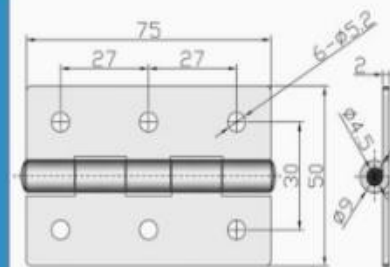


+86 17862816975



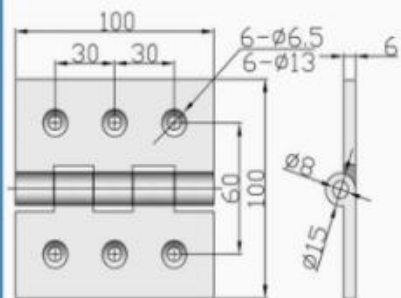
ZQ-CY-129

- \* Material: SUS304;
- \* Surface Treatment: Wire Drawing, Mirror Finish;
- \* Structure Description: About 180 Degrees Rotation



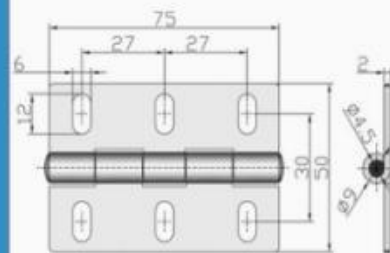
ZQ-CY-130

- \* Material: Carbon Steel, SUS304;
- \* Surface Treatment: Blue Zinc Plating, Vibration, Wire Drawing, Mirror Polishing;
- \* Structure Description: About 180 Degrees Rotation



ZQ-CY-131

- \* Material: SUS304;
- \* Surface Treatment: Wire Drawing, Mirror Finish;
- \* Structure Description: About 180 Degrees Rotation

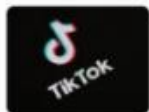


ZQ-CY-132

- \* Material: Carbon Steel, SUS304;
- \* Surface Treatment: Blue Zinc Plating, Vibration, Wire Drawing, Mirror Polishing;
- \* Structure Description: About 180 Degrees Rotation



@WZhiyu577



wangzhiyu77



@zhiyuwang-dz3vd



zhiyu2941

Instagram



wzy@ytcqmetal.com



wzy.products@gmail.com



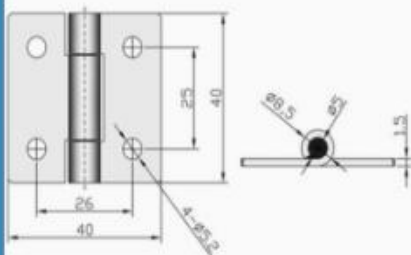
wzy.products@gmail.com



0086-0535-6110388  
0086-0535-6110399

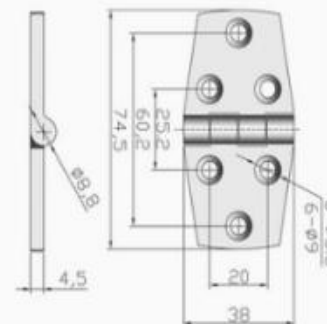


+86 17862816975



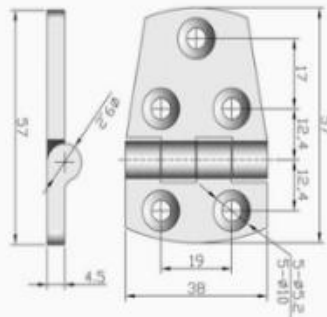
**ZQ-CY-133**

- \* Material: SUS304;
- \* Surface Treatment: Vibration, Wire Drawing, Mirror Polishing;
- \* Structure Description: About 180 Degrees Rotation



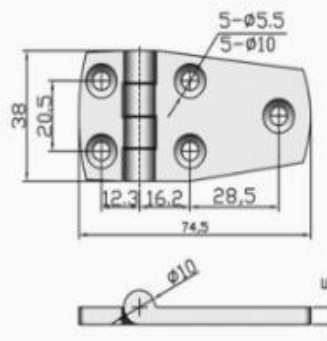
**ZQ-CY-134**

- \* Material: SUS304;
- \* Surface Treatment: Vibration, Wire Drawing, Mirror Polishing;
- \* Structure Description: About 180 Degrees Rotation



**ZQ-CY-135**

- \* Material: SUS304;
- \* Surface Treatment: Vibration, Wire Drawing, Mirror Polishing;
- \* Structure Description: About 180 Degrees Rotation



**ZQ-CY-136**

- \* Material: SUS304;
- \* Surface Treatment: Vibration, Wire Drawing, Mirror Polishing;
- \* Structure Description: About 180 Degrees Rotation



@WZhiyu577



wangzhiyu77



@zhiyuwang-dz3vd



zhiyu2941

Instagram



wzy@ytcqmetal.com



wzy.products@gmail.com



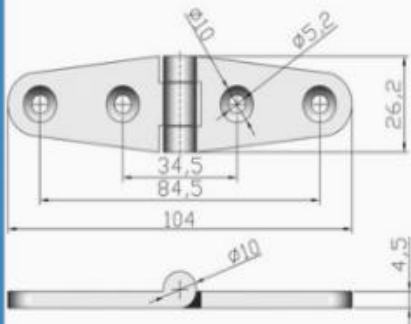
wzy.products@gmail.com



0086-0535-6110388  
0086-0535-6110399

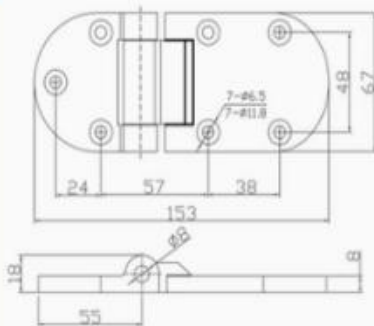


+86 17862816975



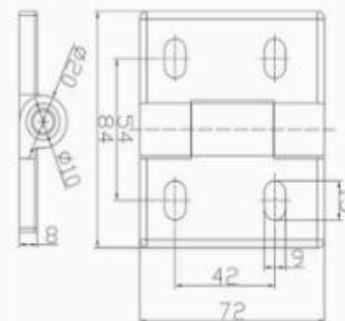
ZQ-CY-137

- \* Material: SUS304;
- \* Surface Treatment: Vibration, Wire Drawing, Mirror Polishing;
- \* Structure Description: About 180 Degrees Rotation



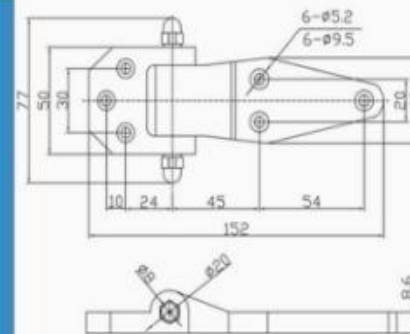
ZQ-CY-139

- \* Material: SUS304;
- \* Surface Treatment: Wire Drawing, Mirror Finish;
- \* Structure Description: About 180 Degrees Rotation



ZQ-CY-138

- \* Material: SUS304;
- \* Surface Treatment: Wire Drawing, Mirror Finish;
- \* Structure Description: About 180 Degrees Rotation

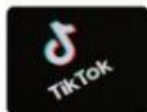


ZQ-CY-140

- \* Material: SUS304;
- \* Surface Treatment: Wire Drawing, Mirror Finish;
- \* Structure Description: About 180 Degrees Rotation



@WZhiyu577



wangzhiyu77



@zhiyuwang-dz3vd



zhiyu2941

Instagram



wzy@ytcqmetal.com



wzy.products@gmail.com



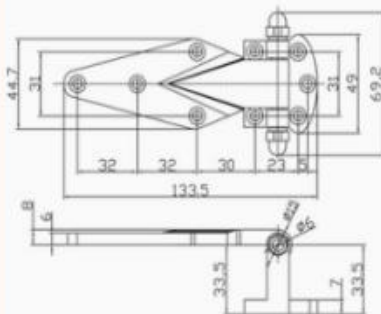
wzy.products@gmail.com



0086-0535-6110388  
0086-0535-6110399

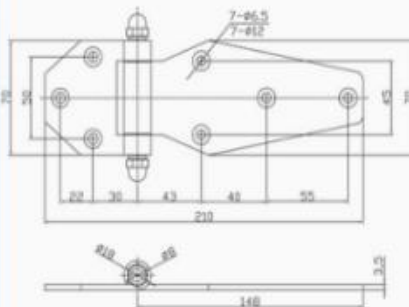


+86 17862816975



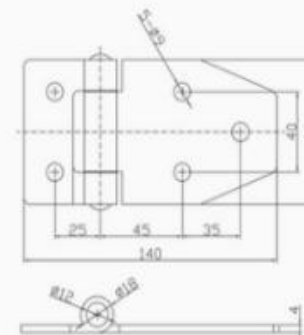
ZQ-CY-141

- \* Material: SUS304;
- \* Surface Treatment: Wire Drawing, Mirror Finish;
- \* Structure Description: About 180 Degrees Rotation



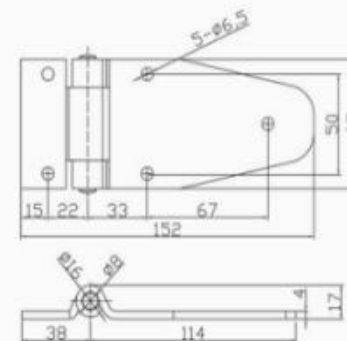
ZQ-CY-143

- \* Material: SUS304;
- \* Surface Treatment: Wire Drawing, Mirror Finish;
- \* Structure Description: About 180 Degrees Rotation



ZQ-CY-142

- \* Material: SUS304;
- \* Surface Treatment: Wire Drawing, Mirror Finish;
- \* Structure Description: About 180 Degrees Rotation



ZQ-CY-144

- \* Material: SUS304;
- \* Surface Treatment: Wire Drawing, Mirror Finish;
- \* Structure Description: About 180 Degrees Rotation



@WZhiyu577



wangzhiyu77



@zhiyuwang-dz3vd



zhiyu2941

Instagram



wzy@ytcqmetal.com



wzy.products@gmail.com



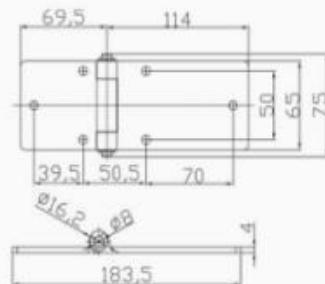
wzy.products@gmail.com



0086-0535-6110388  
0086-0535-6110399

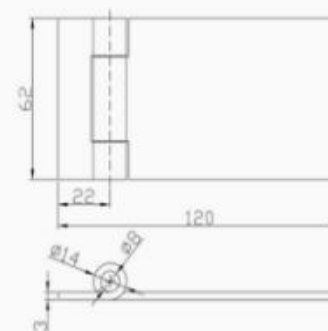


+86 17862816975



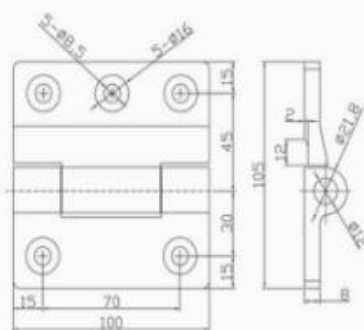
**ZQ-CY-145**

- \* Material: SUS304;
- \* Surface Treatment: Wire Drawing, Mirror Finish;
- \* Structure Description: About 180 Degrees Rotation



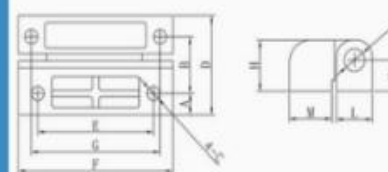
**ZQ-CY-146**

- \* Material: Carbon Steel, SUS304;
- \* Surface Treatment: Blue Zinc Plating, Wire Drawing, Mirror Polishing;
- \* Structure Description: About 180 Degrees Rotation



**ZQ-CY-147**

- \* Material: SUS304;
- \* Surface Treatment: Wire Drawing, Mirror Finish;
- \* Structure Description: About 180 Degrees Rotation



	A	B	C	D	E	F	G	H	J	K	L	M
1T	8	20	35	35	45	60	30	18	φ8	11	14	18
2T	8	13	16	22	22	30	22	13	φ5	8	10	9
3T	8	18.5	16	27.5	22	30	22	13	φ5	9	10	11.5

**ZQ-CY-148**

- \* Material: SUS304;
- \* Surface Treatment: Wire Drawing, Mirror Finish;
- \* Structure Description: About 180 Degrees Rotation



@WZhiyu577



wangzhiyu77



@zhiyuwang-dz3vd



zhiyu2941

Instagram



wzy@ytcqmetal.com



wzy.products@gmail.com



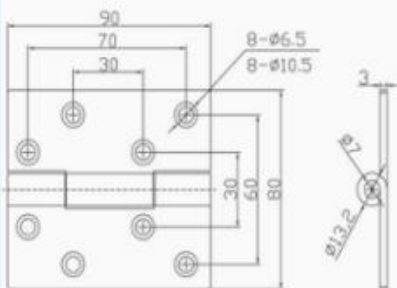
wzy.products@gmail.com



0086-0535-6110388  
0086-0535-6110399

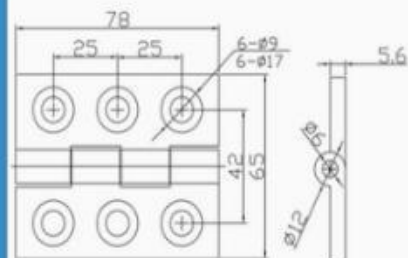


+86 17862816975



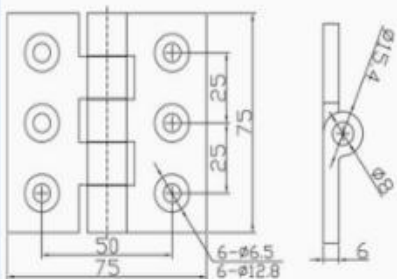
ZQ-CY-149

- \* Material: Carbon Steel, SUS304;
- \* Surface Treatment: Blue Zinc Plating, Wire Drawing, Mirror Polishing;
- \* Structure Description: About 180 Degrees Rotation



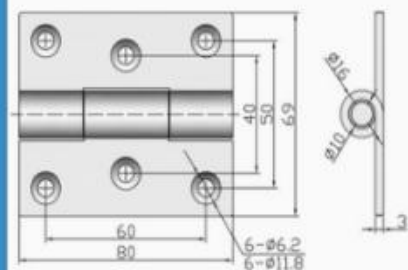
ZQ-CY-150

- \* Material: SUS304;
- \* Surface Treatment: Blue Zinc Plating, Wire Drawing, Mirror Finish;
- \* Structure Description: About 180 Degrees Rotation



ZQ-CY-151

- \* Material: SUS304;
- \* Surface Treatment: Blue Zinc Plating, Wire Drawing, Mirror Finish;
- \* Structure Description: About 180 Degrees Rotation



ZQ-CY-152

- \* Material: Carbon Steel, SUS304;
- \* Surface Treatment: Blue Zinc Plating, Wire Drawing, Mirror Polishing;
- \* Structure Description: About 180 Degrees Rotation



@WZhiyu577



wangzhiyu77



@zhiyuwang-dz3vd



zhiyu2941

Instagram



wzy@ytcqmetal.com



wzy.products@gmail.com



wzy.products@gmail.com



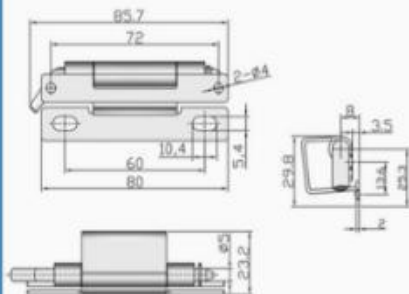
0086-0535-6110388  
0086-0535-6110399



+86 17862816975

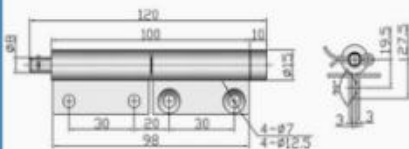






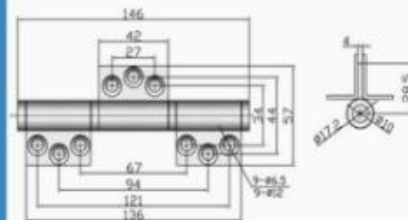
ZQ-CY-157

- \* Material: Carbon Steel, SUS304;
- \* Surface Treatment: Blue Zinc Plated, Vibration Light;
- \* Structure Description: About 180 Degrees Rotation



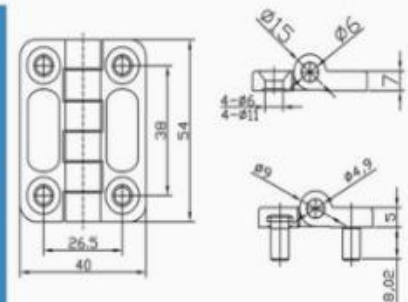
ZQ-CY-159

- \* Material: SUS304;
- \* Surface Treatment: Wire Drawing, Mirror Finish;
- \* Structure Description: Left And Right, Rotated About 180 Degrees



ZQ-CY-158

- \* Material: SUS304;
- \* Surface Treatment: Wire Drawing;
- \* Structure Description: About 180 Degrees Rotation



ZQ-CY-160

- \* Material: SUS304;
- \* Surface Treatment: Wire Drawing, Mirror Finish;
- \* Structure Description: About 180 Degrees Rotation



@WZhiyu577



wangzhiyu77



@zhiyuwang-dz3vd



zhiyu2941

Instagram



wzy@ytcqmetal.com



wzy.products@gmail.com



wzy.products@gmail.com



0086-0535-6110388  
0086-0535-6110399



+86 17862816975